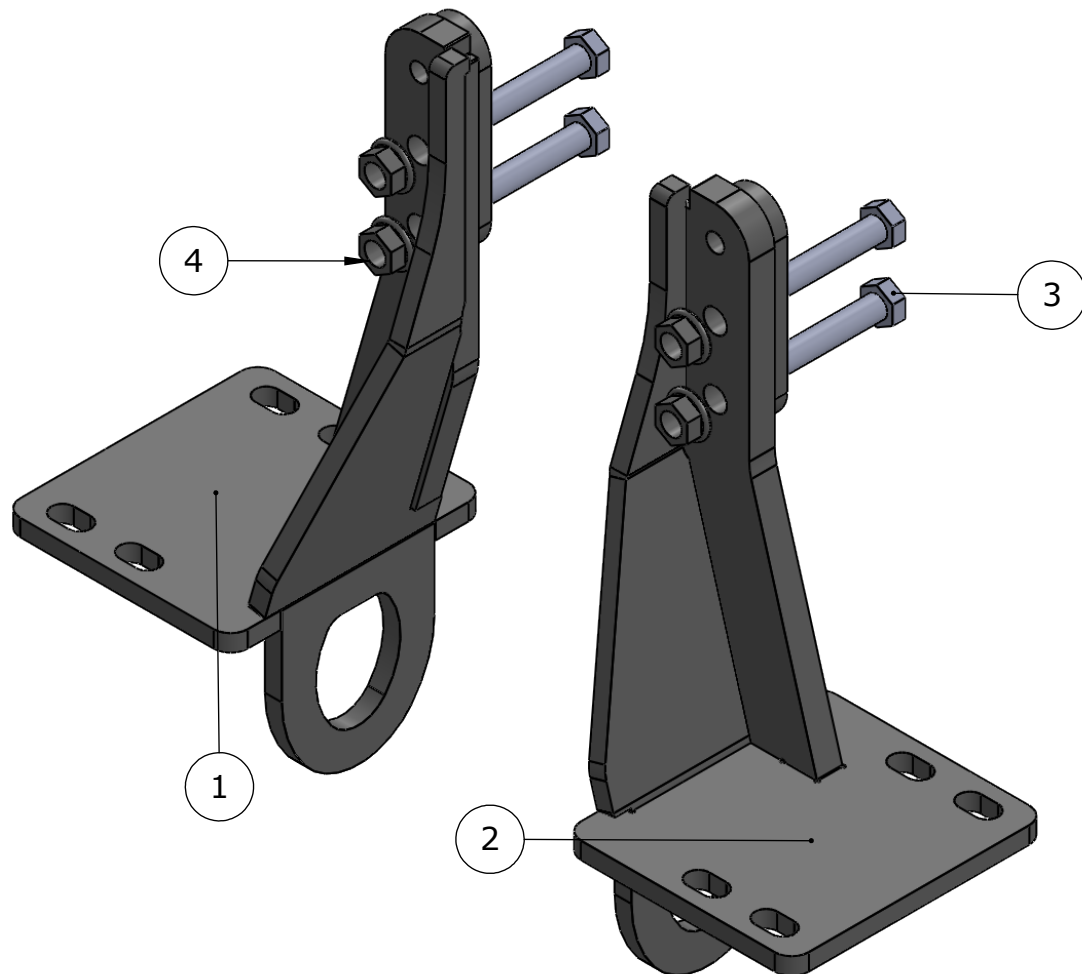


PARTS LIST - XG-06FCOR

BOLT KIT - XG-BRK8

COMPATIBLE GUARDS

- XG-B100, XG-125, XG-150, XG-195
- LT-325, LT-350



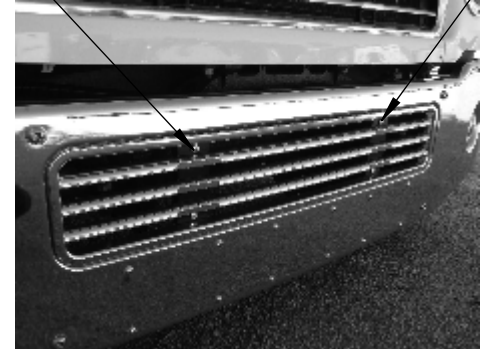
ITEM NO.	PART NUMBER	DESCRIPTION	QTY.
1	XG-06FCOR-BR10DR	MOUNTING BRACKET (LHS)	1
2	XG-06FCOR-BR10PS	MOUNTING BRACKET (RHS)	1
3	XG-001-62C350HCS8Y	5/8-11X3 1/2 Hex CapGR8 Z&Y	4
4	XG-001-62CNWF0Z_HARD	5/8-11 Serr FlangeLn Hard ZINC	4

ATTENTION!! Any Ex-Guard grille guard, bracket kit, or hardware must be used with corresponding Ex-Guard components. Use of any other product or brand with Ex-Guard products will immediately void the warranty provided by Ex-Guard Industries.

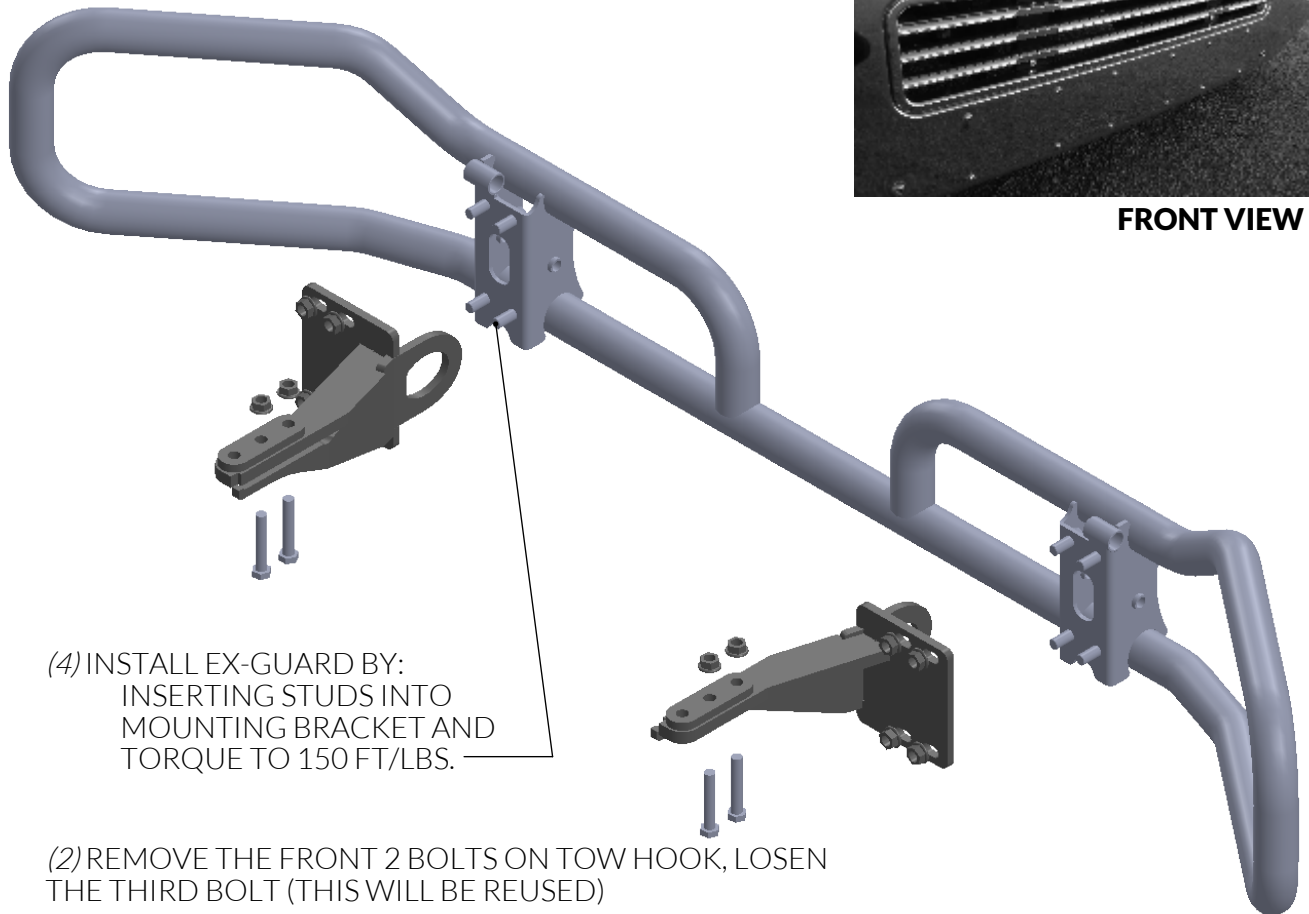
MOUNTING INSTRUCTIONS - XG-06FCOR MT

FREIGHTLINER CORONADO UP TO '08

(1) LOOSEN THESE 4 BOLTS
REMOVE GRILL INSERT.



FRONT VIEW



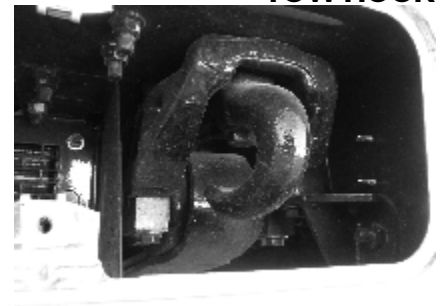
(4) INSTALL EX-GUARD BY:
INSERTING STUDS INTO
MOUNTING BRACKET AND
TORQUE TO 150 FT/LBS.

(2) REMOVE THE FRONT 2 BOLTS ON TOW HOOK, LOSEN
THE THIRD BOLT (THIS WILL BE REUSED)

(3) INSERT MOUNTING BRACKET WHERE TOW HOOK
WAS, START THREADING THE THIRD BOLT STILL IN
FRAME, INTO THE BRACKET, USE 2 OTHER BOLTS
SUPPLIED, TORQUE TO 150 FT/LBS. REPEAT OTHER SIDE.

(5) GRILL REMOVED IN STEP ONE, CAN BE RE-INSTALLED,
CUT OFF GRILL AT EITHER END WHERE BRACKET IS, RE-
INSTALL USING THE 4 BOLTS.

TOW HOOK



IMPORTANT!! Any Ex-Guard grille guard, bracket kit, or hardware must be used with corresponding Ex-Guard components. Use of any other product or brand with Ex-Guard products will immediately void the warranty provided by Ex-Guard Industries.