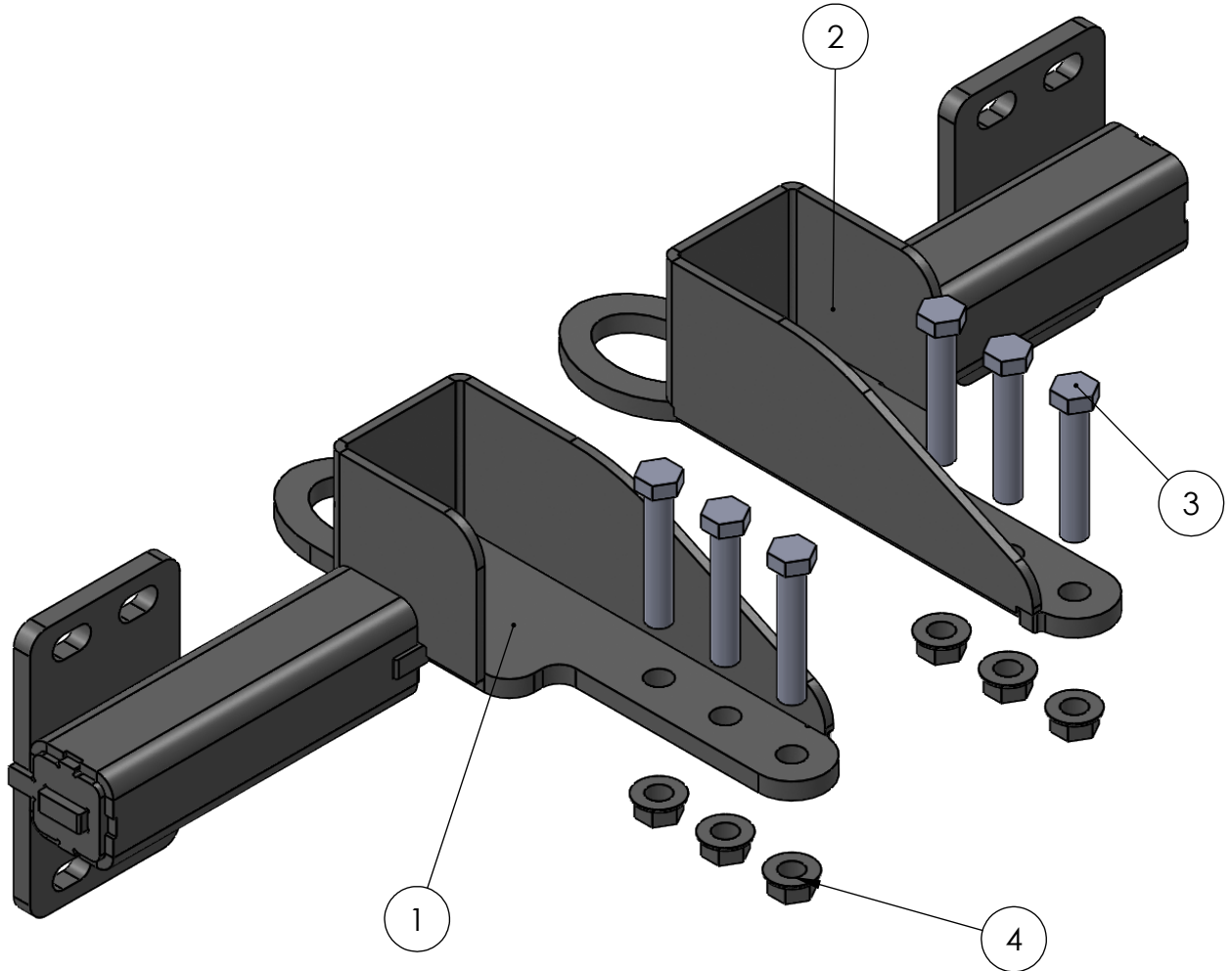


PARTS LIST - XG-10FCOR

BOLT KIT - XG-BRK8 (x2)

COMPATIBLE GUARDS

- XG-B200, XG-225, XG-250



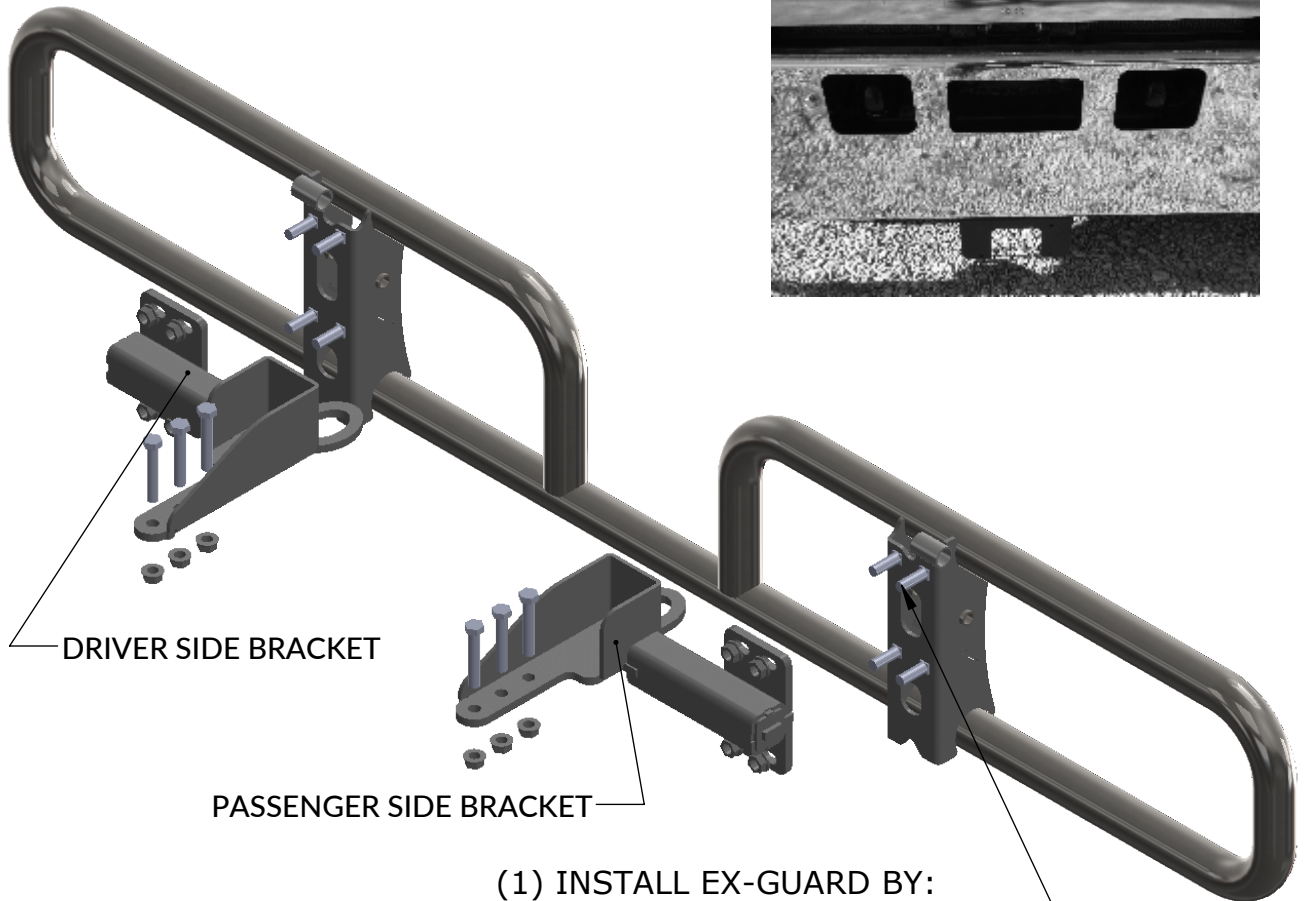
ITEM NO.	PART NUMBER	DESCRIPTION	QTY.
1	XG-10FCOR-BR10DR	MOUNTING BRACKET (LHS)	1
2	XG-10FCOR-BR10PS	MOUNTING BRACKET (RHS)	1
3	XG-001-62C350HCS8Y	5/8-11X3 1/2 Hex CapGR8 Z&Y	6
4	XG-001-62CNWF0Z_HARD	5/8-11 Serr FlangeLn Hard ZINC	6

ATTENTION!! Any Ex-Guard grille guard, bracket kit, or hardware must be used with corresponding Ex-Guard components. Use of any other product or brand with Ex-Guard products will immediately void the warranty provided by Ex-Guard Industries.

MOUNTING INSTRUCTIONS - XG-10FCOR MT

FREIGHTLINER CORONADO SET FORWARD AXLE
2010 - CURRENT

FRONT VIEW



DRIVER SIDE BRACKET

PASSENGER SIDE BRACKET

(1) INSTALL EX-GUARD BY:
INSERTING STUDS INTO
MOUNTING BRACKET SLOTS
AND TORQUE TO 150 FT/LBS



(1) LOCATE FRONT TOW HOOKS
AND REMOVE, INSTALL BRACKETS
AS SHOWN USING BOLTS SUPPLIED
TORQUE TO 150 FT/LBS

IMPORTANT!! Any Ex-Guard grille guard, bracket kit, or hardware must be used with corresponding Ex-Guard components. Use of any other product or brand with Ex-Guard products will immediately void the warranty provided by Ex-Guard Industries.